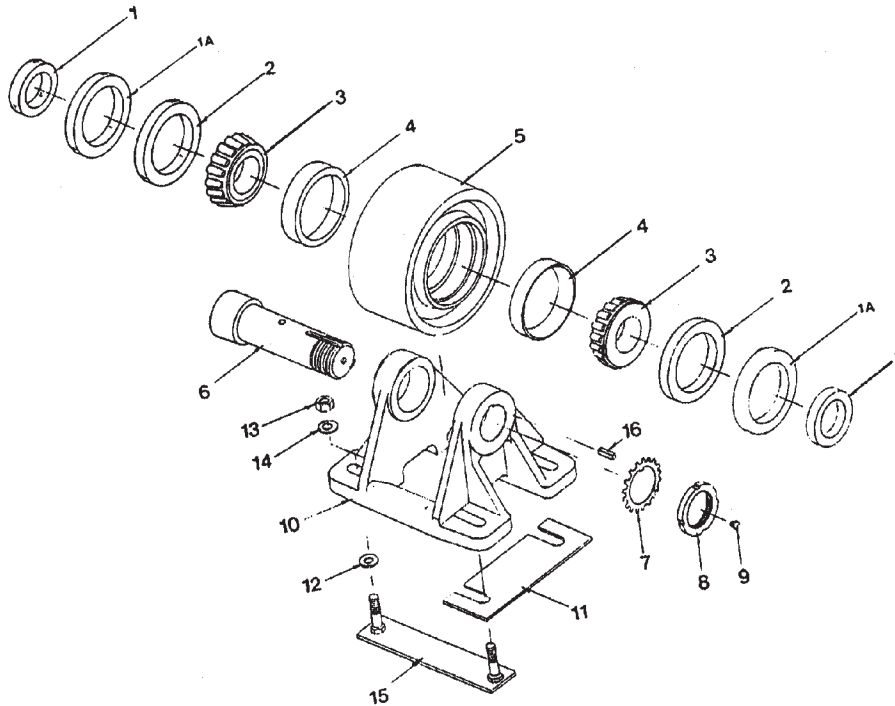


MTM #150440 DRUM ROLLER & COMPONENTS



ITEM	PART NUMBER	DESCRIPTION
	150440	Drum Roller Assembly (3-7/8" wide x 8" OD), with Bracket
	150440AK	Drum Roller Assembly, Complete less Bracket
	157440	Drum Roller Assembly, with Bearings & Seals Only
1	131433	Roller Spacing Ring
1A	215258	Felt Seal
2	215250	Roller Oil Seal
3	82213	Roller Bearing Cone
4	82214	Roller Bearing Cup
5	150442	Roller 3-7/8" wide
6	150443	Roller Shaft 8" overall length
7	82206	Roller Lock Washer
8	82216	Roller Lock Nut
9	82208	1/8" NPT Grease Fitting
10	150441	One-Piece Roller Bracket
11	82218	Roller Shim (.22 GA)
12	05365	1/2" Hardened Flat Washer
13	05340	1/2" UNC Locking Nut
14	82219	1/2" Flat Washer
15	150425	Bolt Assembly for 3-7/8" Roller
16	150444	Roller Key
	M-21	Bearing Kit