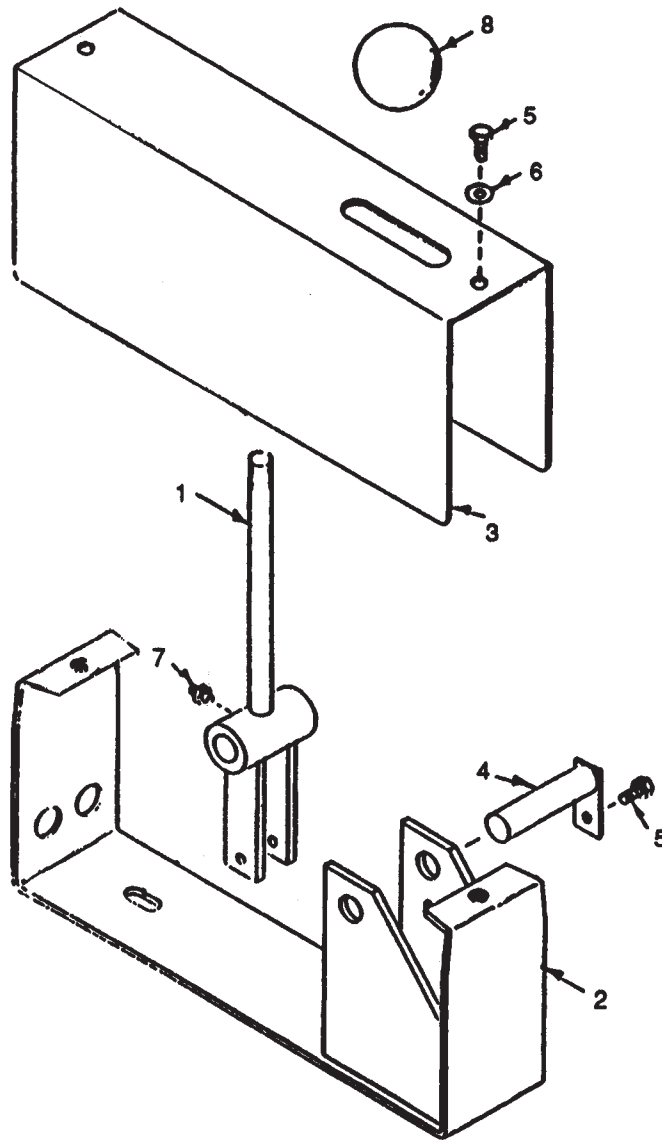


MTM 153990 4" STROKE CAB CONTROL & COMPONENTS



ITEM	PART NUMBER	DESCRIPTION
	153990	Complete Control
1	153998	Lever Assembly
2	153989	Control Box Assembly
3	153994	Control Box Cover
4	153985	Lever Shaft Assembly
5	100001	1/4" - 20 x 1/2" UNC Grade 5 Bolt
6	100559	1/4" Flat Washer
7	115165	1/4" - 28 UNF Grease Fittig
8	82485	1/2" - 13 UNC Black Knob