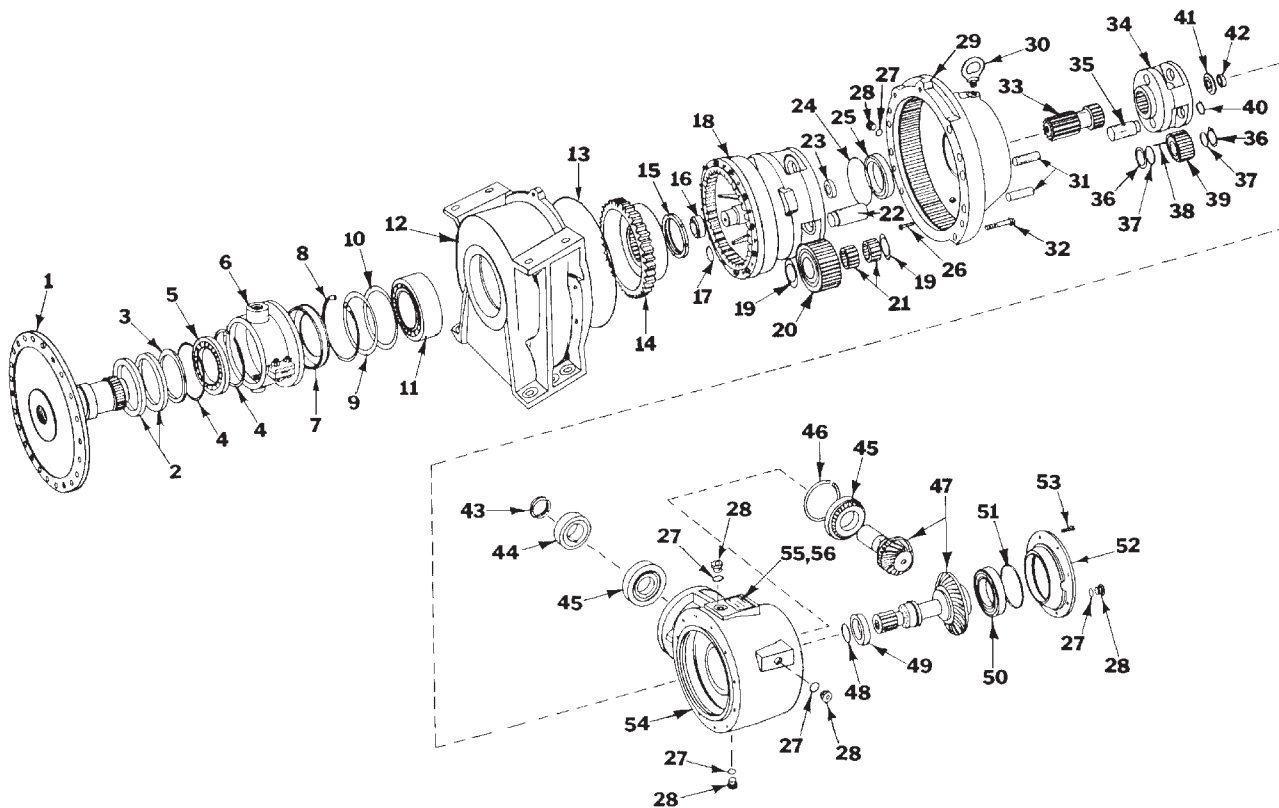
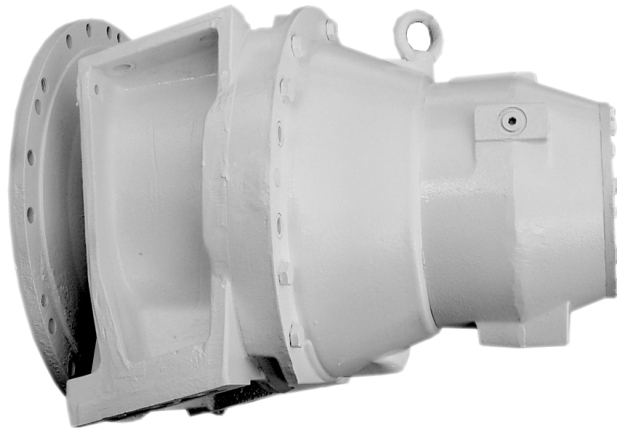


GEARBOXES - ZF MODEL PK-5100 WITH F.W.I.



GEARBOXES - ZF MODEL PK-5100 WITH F.W.I.

ITEM	PART #	DESCRIPTION	KIT	QTY	ITEM	PART #	DESCRIPTION	KIT	QTY
	115302EX	GEARBOX - REBUILT			30	0636-804-003	Eye Bolt		1
*	115302SK	Seal Kit		1	31	0631-328-586	Clamping Pin		4
**	115302BK	Bearing Kit		1	32	0636-011-162	Hex Head Bolt		9
1	4108-303-215	Bearing Flange		1	33	4108-306-147	Sun Gear		1
2	0501-308-475	Shaft Seal-135mm Solid		2	34	4108-302-005	Planetary Carrier		1
2	0501-308-476	Shaft Seal-135mm Split	*	2	35	4108-302-004	Pin		3
3	0734-309-054	Shaft Seal	*	1	36	0730-150-238	Thrust Washer		6
4	0630-501-062	Circlip		2	37	0730-102-311	Thrust Washer		6
5	0635-338-064	Ball Bearing	**	1	38	0735-470-179	Needle Bearing	**	57
6	4108-208-073	Collar		1	39	4108-308-023	Planetary Pinion		3
7	0734-307-142	Shaft Seal	*	1	40	0630-501-025	Circlip		3
8	0630-502-067	Circlip		1	41	4108-302-007	Bearing Plate		1
9	0630-004-189	Thrust Disk		1	42	0635-332-196	Ball Bearing	**	1
10	0730-100-233	Shim, 0.2mm		1	43	0737-502-128	Slotted Nut		1
10	0730-100-584	Shim, 0.3mm		1	44	4108-303-214	Sleeve		1
10	0730-003-018	Shim, 0.5mm		1	45	0635-900-363	Tapered Bearing Set	**	2
10	0730-003-019	Shim, 0.7mm		1	46	0730-002-174	Shim, 2.25mm		1
11	0750-117-012	Roller Bearing	**	1	46	0730-002-173	Shim, 2.50mm		1
12	4108-306-155	Bearing Housing		1	46	0730-002-172	Shim, 2.75mm		1
13	0634-304-411	"O" Ring	*	1	46	0730-002-171	Shim, 3.00mm		1
14	4108-303-200	Clutch Housing		1	46	4002-302-023	Shim, 0.20mm		1
15	0737-502-084	Slotted Nut		1	46	4002-302-022	Shim, 0.30mm		1
16	0635-285-013	Joint Bearing	**	1	46	4002-302-021	Shim, 0.50mm		1
17	0630-501-031	Circlip		1	47	4108-202-011	Bevel Gear Set		1
18	4108-206-047	Planetary Carrier		1	48	0630-501-038	Circlip		1
19	0730-102-684	Thrust Washer		6	49	0635-900-610	Ball Bearing	**	1
20	4108-306-146	Planetary Pinion		3	50	0635-332-060	Ball Bearing	**	1
21	0735-470-038	Needle Bearing	**	138	51	0730-002-245	Shim, 0.2mm		1
22	4108-306-091	Pin		3	51	0730-002-244	Shim, 0.3mm		1
23	0635-331-269	Ball Bearing	**	1	51	0730-002-243	Shim, 0.4mm		1
24	0630-503-026	Snap Ring		1	51	0730-002-242	Shim, 0.5mm		1
25	0635-331-248	Ball Bearing	**	1	51	0730-002-241	Shim, 0.8mm		1
26	0636-101-070	Socket Head Screw		12	51	0730-000-874	Shim, 1.0mm		1
27	0634-801-074	Seal Ring	*	5	52	4108-303-034	Cover		1
28	0636-302-045	Screw Plug		5	53	0636-015-120	Hex Head Screw		8
29	4108-208-003	Intermediate Housing		1	54	4108-303-191	Housing		1
					55	0631-311-009	Grooved Pin		4
					56	0730-365-058	Name Plate		1