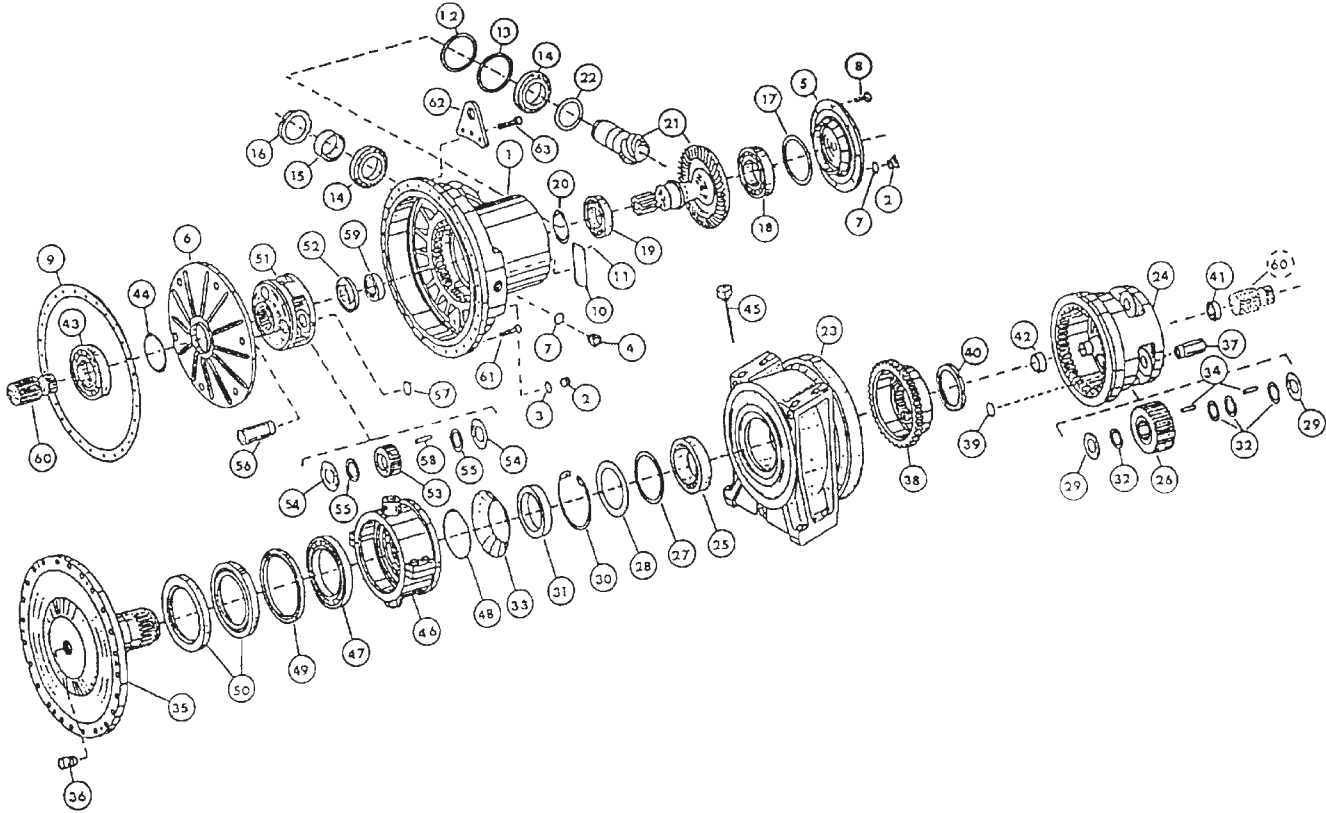


GEARBOXES - ZF MODEL PK-6500



GEARBOXES - ZF MODEL PK-6500

ITEM	PART #	DESCRIPTION	KIT	QTY	ITEM	PART #	DESCRIPTION	KIT	QTY
	PK-6500EX	GEARBOX - REBUILT			23	4108-203-154	Bearing Housing		1
*	PK-6500SK	Seal Kit		1	24	4108-303-283	Planetary Carrier		1
**	PK-6500BK	Bearing Kit		1	25	0750-117-604	Roller Bearing	**	1
1	4108-201-228	Housing		1	26	4108-303-298	Planetary Gear		4
2	0636-302-015	Screw Plug		3	29	0730-102-684	Thrust Washer		8
3	0634-304-287	"O" Ring	*	2	30	0630-502-067	Retaining Ring		1
4	0632-610-066	Oil Sight Glass		1	31	4108-306-102	Ring		1
5	4108-303-034	Cover		1	32	0730-102-816	Intermediate Washer		16
6	4108-301-293	Bearing Cover		1	33	0734-112-169	Sealing Collar	*	1
7	0634-801-074	Sealing Ring	*	2	34	0750-119-092	Needle Bearing	**	184
8	0636-015-120	Hex Head Cap Screw		8	35	4108-303-292	Bearing Flange		1
9	4108-301-295	Gasket	*	1	36	0631-405-018	Plug		1
10	0730-365-058	Name Plate		1	37	4108-303-289	Pin		4
11	0631-311-009	Grooved Stud		4	38	4108-306-101	Clutch Housing		1
12	0730-002-171	Shim, 3.00mm		1	39	0630-501-031	Retaining Ring		4
12	0730-002-172	Shim, 2.75mm		1	40	0737-502-084	Slotted Nut		1
12	0730-002-173	Shim, 2.50mm		1	41	0635-331-269	Ball Bearing	**	1
12	0730-002-174	Shim, 2.25mm		1	42	0635-285-013	Joint Bearing	**	1
13	4002-302-021	Shim, 0.50mm		1	43	0750-116-137	Ball Bearing	**	1
13	4002-302-022	Shim, 0.30mm		1	44	0630-503-018	Snap Ring		1
13	4002-302-023	Shim, 0.20mm		1	45	4108-203-149	Oil Dipstick		1
13	4002-007-558	Shim, 0.40mm		1	51	4108-308-038	Planetary Carrier		1
14	0750-117-057	Roller Bearing	**	2	52	4108-302-007	Bearing Plate		1
15	4108-303-214	Bushing		1	53	4108-308-037	Planetary Gear		4
16	0737-502-128	Slotted Nut		1	54	0730-150-238	Thrust Washer		8
17	0730-000-874	Washer, 1.0mm		1	55	0730-102-311	Thrust Washer		8
17	0730-002-241	Washer, 0.8mm		1	56	4108-302-004	Pin		4
17	0730-002-242	Washer, 0.5mm		1	57	0630-501-025	Retaining Ring		4
17	0730-002-243	Washer, 0.4mm		1	58	0735-470-179	Needle Bearing	**	76
17	0730-002-244	Washer, 0.3mm		1	59	0635-332-196	Ball Bearing	**	1
17	0730-002-245	Washer, 0.2mm		1	60	4108-303-296	Sun Gear		1
18	0750-116-188	Ball Bearing	**	1	61	0636-101-071	Socket Head Cap Screw		27
19	0750-116-235	Ball Bearing	**	1	62	4108-302-199	Lifting Bracket		1
20	0630-531-057	Retaining Ring		1	63	0636-101-073	Socket Head Cap Screw		3
21	4108-202-049	Bevel Gear Set		1	N/S	4108-303-213	Gasket	*	1
22	4108-303-160	Ring		1	27,28,46,47,48,49 & 50 NOT USED				